



# High Bay Luminaire Series

## INSTALLATION INSTRUCTIONS

---

### WARNING:

- This product must be installed in accordance with applicable local, state, and national electrical codes by a licensed person familiar with the construction and operation of the product and hazards involved.
- This luminaire must be adequately grounded for protection against shock hazards and to assure proper operation.
- Disconnect power before servicing.
- Suspend from adequate structure that can safely support the fixture.
- MIN 90°C SUPPLY CONDUCTORS
- Do not operate in ambient temperatures above those indicated on the luminaire Label.
- Make sure the supply voltage is within the voltage range stated on the Label
- If the external flexible cable or cord of this luminaire is damaged, it shall be exclusively replaced by the manufacturer or his service agent or a similar qualified person in order to avoid a hazard.
- The light source contained in this luminaire shall only be replaced by the manufacturer or his

service agent or a similar qualified person. **Caution, risk of electric shock**



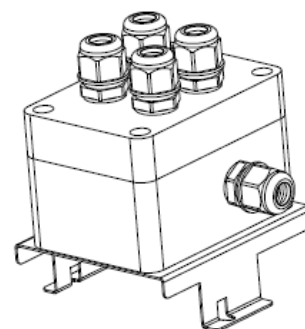
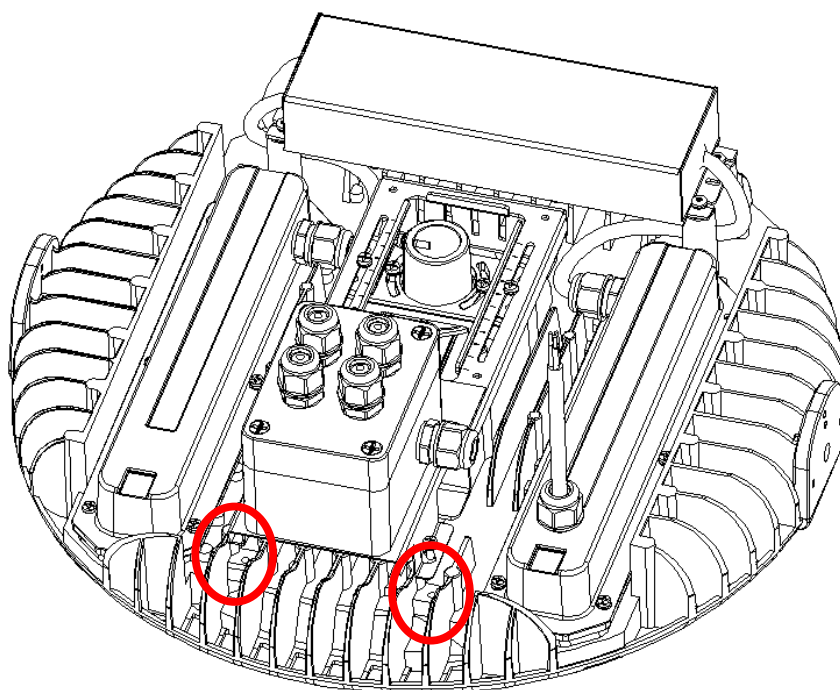
- Terminal block not included. Installation may require advice from a qualified person.
- This product is not for household use.

---

General :Provide at least 12" (30.48 cm) of clearance from the top of the fixture to any ceiling or surface above.

---

1. Assemble luminaire and junctionbox by M4 Screw



2. Let luminaire power cable pass through gland into junctionbox, and make wiring connections with AC power cable. Blue (N) : Neutral; Brown (L) : Line; Yellow/Green(G) : Ground

Note: The top 4 Glands is for 1.5mm<sup>2</sup> wire gage

